

Catalyst Feeder Valves



Key Features:

- ✓ ANSI 600# Class rating
- ✓ Rated for high cycles
- ✓ Sealing surfaces coated with CFS-131
- ✓ Actuated for automated controls
- ✓ Flanged end connects
- ✓ Available in 35cc, 50cc, and 70cc injection per cycle
- ✓ Zero Emissions package with Nitrogen Purge available
- ✓ Available with flanged flush ports
- ✓ Designed around your specific needs

Operations

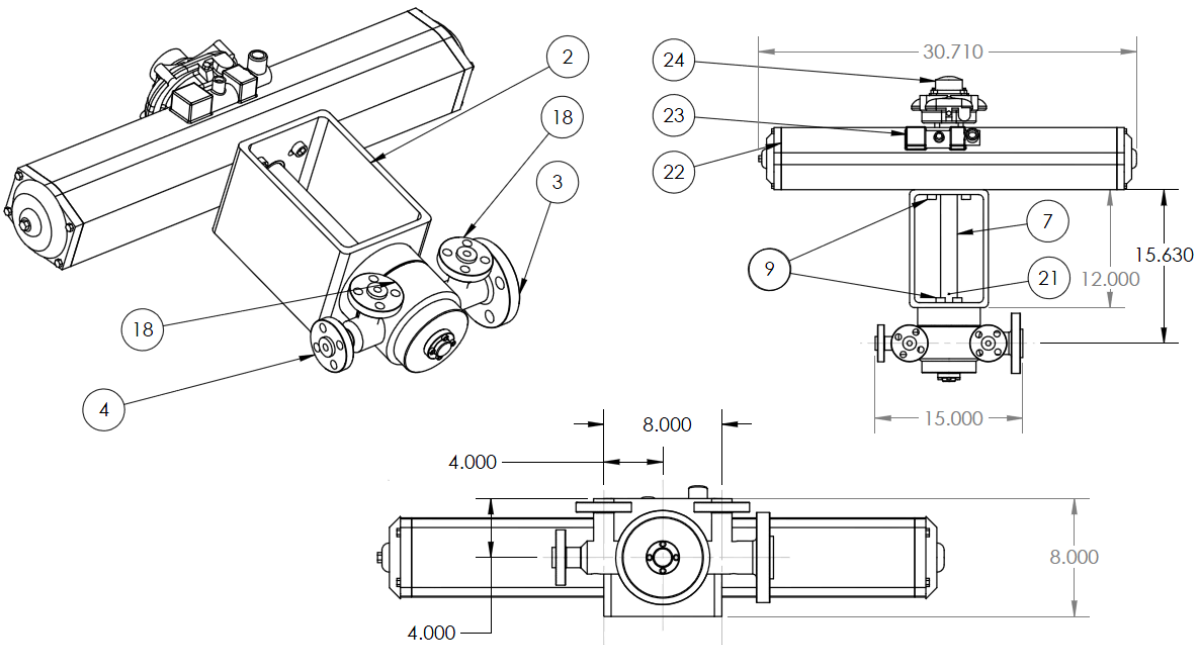
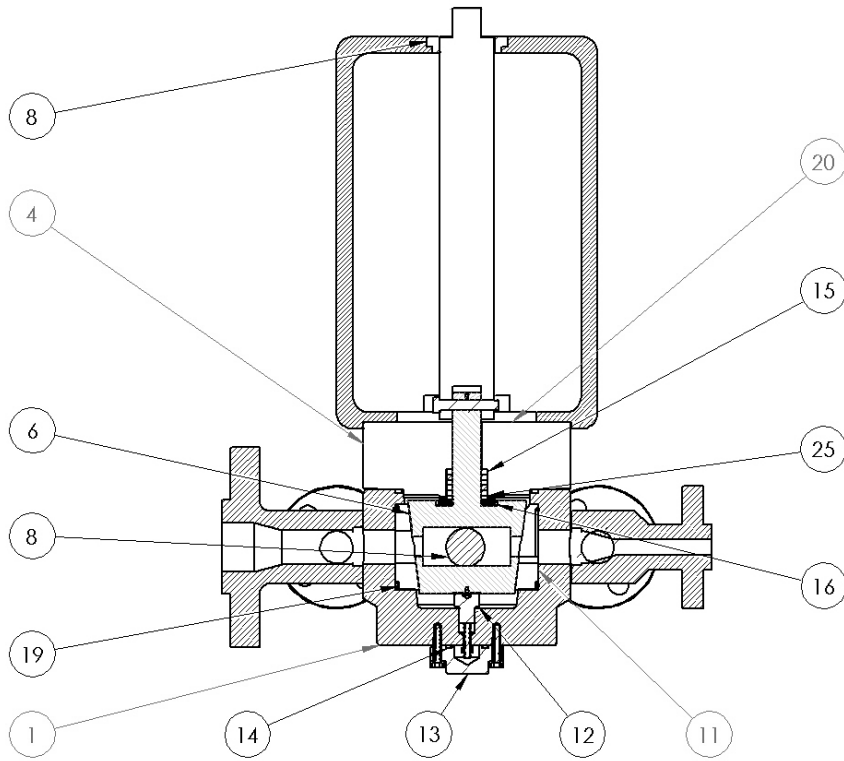
The Copeland Catalyst Feeder is a specialty valve designed for high cycle catalyst injection.

Background

Copeland has been making catalyst feeder valves for over 20 years now. Our first efforts met with great success, increasing cycle life from a maximum of 10,000 cycles to several million between change outs. In fact, our very first valve is still in operation and working well.

Copeland now has a variety of options available when ordering these items. We have a new Zero Leakage packing system that was custom made for these feeders. Engineering assistance from several experienced engineers at ... assisted with this effort and this collaboration yielded a very exciting product.

Non Fugitive Emissions Version with Flush Ports



Actuation

EXAMPLE ONLY

When compressed air is supplied at the right port (port 2), air forces the pistons apart and compresses the springs from their inside ends to the end side. A counterclockwise rotation is obtained and the plug will rotate as follows:

